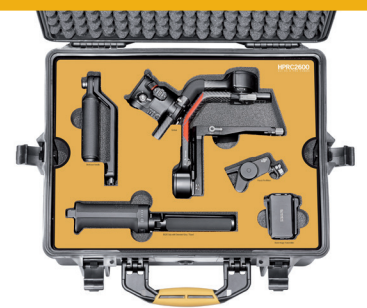


HPRC2600 for DJI RS 4 Pro Combo

S-RS4-2600-01



- 1** Gimbal
- 2** Focus Pro Motor
- 3** Ronin Image Transmitter
- 4** BG30 Grip with Extended Grip / Tripod
- 5** Briefcase Handle

- 6** Lens-Fastening Support
- 7** Lower Quick-Release Plate
- 8** Phone Holder
- 9** Quick-Release Plate
- 10** Miscellaneous / Cables
- 11** Focus Gear Strip / Miscellaneous
- 12** Focus Pro Motor / Rod Mount Kit



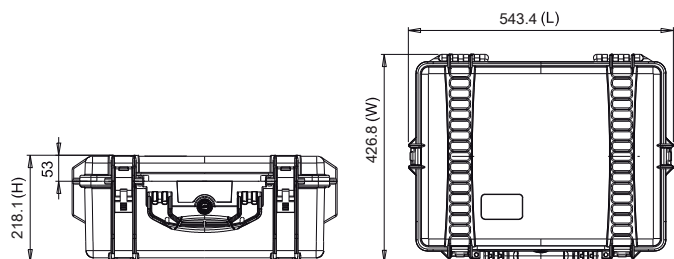
TECHNICAL FEATURES

Dimension:
 Internal dimension:
 482,4x358,3x198,1(mm) - 18.99x14.10x7.80(in)
 External dimension:
 543,4x426,8x218,1(mm) - 21.39x16.80x8.59(in)

Weight:
 empty: 4,25kg - 9.37lbs
 with cubed foam: 5,05kg - 11.13lbs

Temperature rating:
 Minimum Maximum
 -40°C -40°F +80°C +176°F

TECHNICAL DRAWING



www.hprc.it
info@hprc.it

Plaber s.r.l. - HPRC cases
 Via Div Tridentina, 10
 I-36061 Bassano del Grappa
 Vicenza - Italy
 Tel +39 0424 809150

USA office and warehouse:
 HPRC USA
 110 Chestnut Ridge Rd. #314
 Montvale, NJ 07645
 Phone +1(201) 989-3353



APPROVALS
 ATA 300
 IP67
 STANAG 4280
 DS 81-41

TEST
 DROP
 IMPACT
 HANDLE
 WATERTIGHT INTEGRITY
 UV COLOR AND MATERIAL
 PROTECTION

